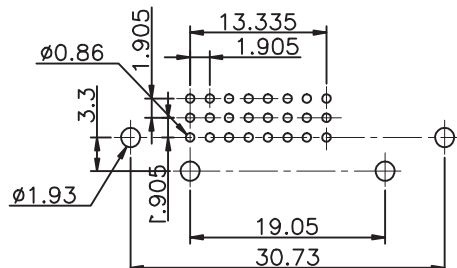
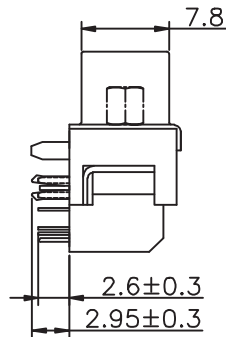
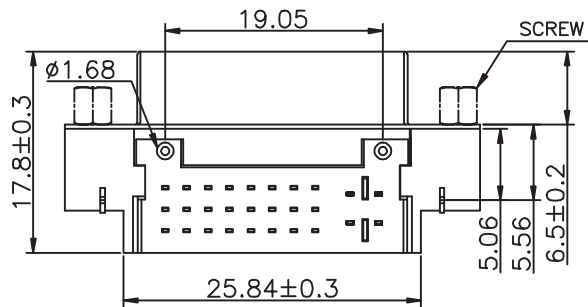


SCREW DETAILS



PCB LAYOUT - COMPONENT VIEW

TECHNICAL CHARACTERISTICS

MATERIAL
 INSULATOR: PBT
 COLOR: WHITE
 CONTACT MATERIAL: COPPER ALLOY
 CONTACT TYPE: STAMPED
 CONTACT PLATING: SELECTIVE GOLD
 SHIELDING: STEEL TIN PLATED
 QUALITY CLASS: 100 MATING CYCLES

ENVIRONMENTAL
 OPERATING TEMPERATURE: -25 UP TO 85°C
 FLAMABILITY RATING: UL94-V0
 COMPLIANCE: LEAD FREE AND ROHS

ELECTRICAL
 CURRENT RATING: 3A
 WORKING VOLTAGE: 40V
 INSULATOR RESISTANCE: >1000 MOHM
 DIELECTRIC WITHSTANDING VOLTAGE: 500V AC/MN
 CONTACT RESISTANCE: 20 mOHM MAX

STANDARD
 CERTIFIED: E323964 / MODEL NUMBER 675024321221

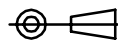
SOLDERING
 WAVE PROCESS ONLY

MOUNTED ACCESSORIES
 UNC 4-40 HEX SCREW / BOARD LOCK

PACKAGING
 TRAY

RoHS Compliant

PROJECTION:



GENERAL TOLERANCE

.X = +/- 0.2

.XX = +/- 0.15



APPROVAL: RJ

UNIT: MM

SCALE:

SHEET: 1/2

DRAW: PEARL

DESCRIPTION: DIGITAL ANGLED DVI UNC 4-40 SCREW

WERI PART NO: 675 024 321 221

SIZE

A4

H	31-JAN-13	QUALITY CLASS	QL
REV	DATE	FILE	BY

1

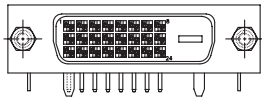
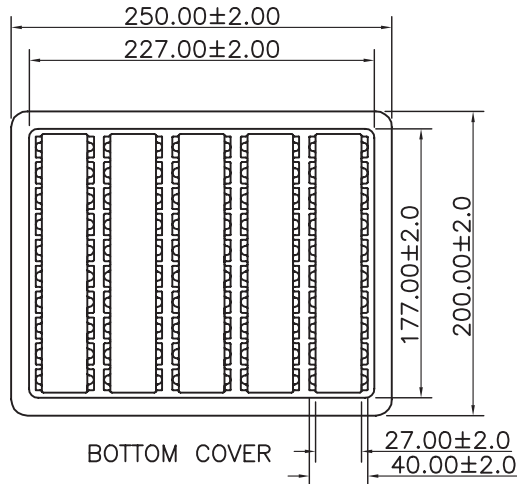
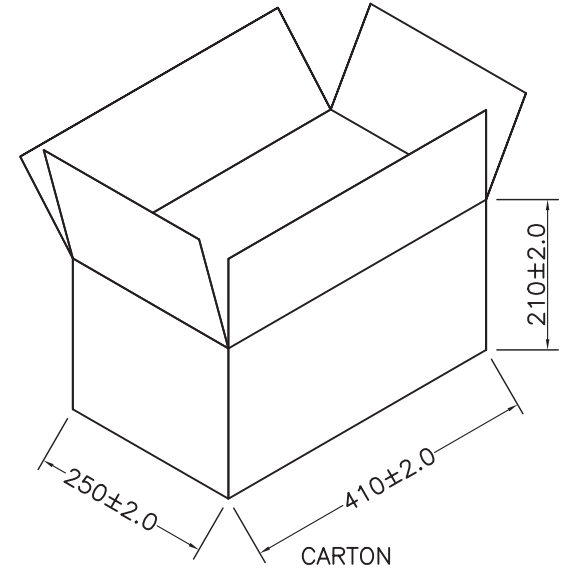
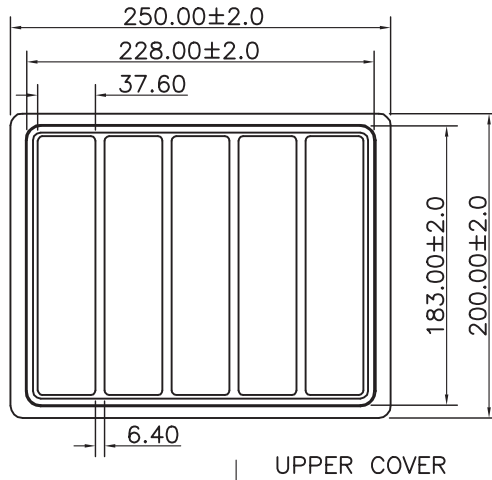
2

3

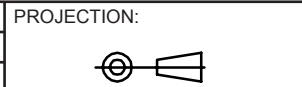
4

5

NOTE:
50PCS/TRAY,1000PCS/BOX



RoHS Compliant			
G			
F			
E			
D			
C			
B			
A			
REV	DATE	FILE	BY



APPROVAL: RJ

GENERAL TOLERANCE
.X = +/- 0.2
.XX = +/- 0.15

UNIT: MM
SCALE:
SHEET: 2/2
DRAW: PEARL



DESCRIPTION: DIGITAL ANGLED DVI UNC 4-40 SCREW
WERI PART NO: 675 024 321 221

SIZE
A4

A

B

C

D